

VULCANO 650W

VULCANO

FRESNEL VULCANO 650W

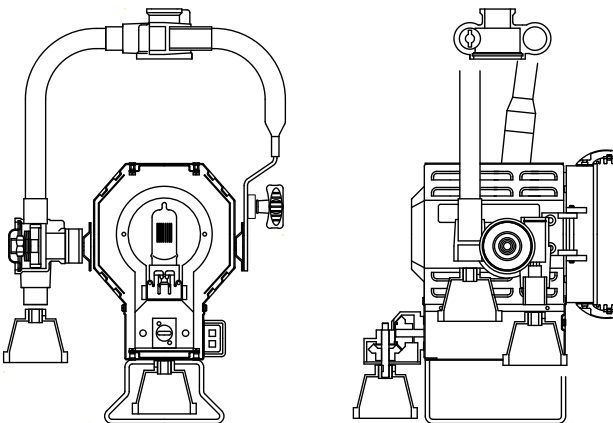
Location and Studio Fresnels offer style, durability, performance and efficiency. Ideal general purpose keylight and backlight for television studios and motion picture.

- ◆ Pole operation versions available for tilt, pan and focus adjustment.
- ◆ Front and back focusing. Worm drive mechanism for focusing.
- ◆ Thermal shock resistant borosilicate fresnel lenses made in Germany.
- ◆ New easy running barndoor ears
- ◆ Superior optical performance with specially designed reflectors.
- ◆ Tubular steel yokes.
- ◆ Safety screen
- ◆ Easy to service and maintain
- ◆ These equipments comply with all applicable European directives and carry a CE mark.

Supplied with:

- 120mm Fresnel lens
- 4-leaf rotating barndoor
- Color frame
- GY9.5 lampholder
- Safety grid
- In-line switch (additional)
- 2 m. Power supply cable
- PO yoke for PO version

POLE OPERATION 50-02 PO



FRESNEL VULCANO 650W

L	W	H	△	□
210 (8.27")	215 (8.47")	280 (11.03")	3.7 (8.15 lbs)	280x240x250 (11.02"x9.45"x9.84")

L Length. W Width. H Height (mm) △ Weight (Kg) □ Package dimensions (mm)

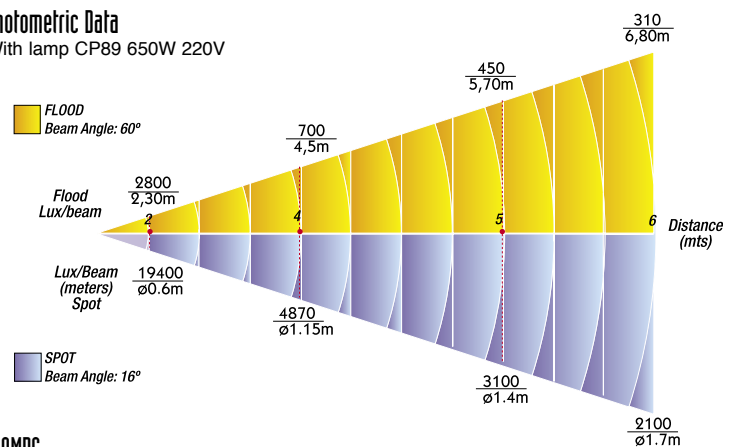
02

MODEL 50-02



Photometric Data

With lamp CP89 650W 220V



LAMPS

ANSI COD.	LIF COD.	BRAND CODE	W	V	SOCKET	LIFE HS	°K
FRL	CP89	CP89 Thorn	650	220	GY9.5	150	3200
FRK	CP89	FRK GE	650	120	GY9.5	200	3200
FRH	CP82	CP82 Thorn	500	220	GY9.5	150	3200
FRG	CP82	FRG GE	500	120	GY9.5	150	3200

ACCESSORIES

fresnel 650W

